



INSTALLATION INSTRUCTIONS STACKED PLATE COOLER MOUNTING FULL LENGTH BRACKETS PART # 50021

KIT CONTENTS

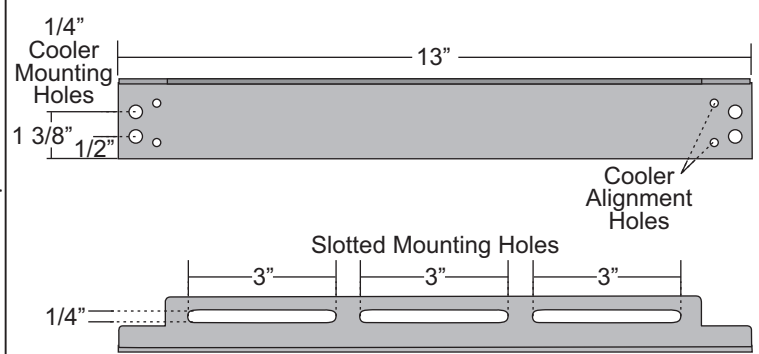
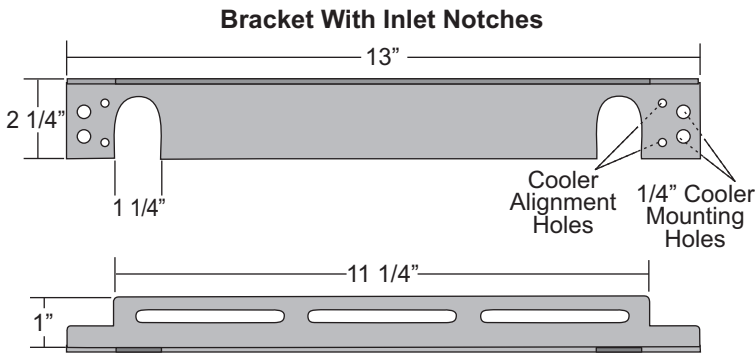
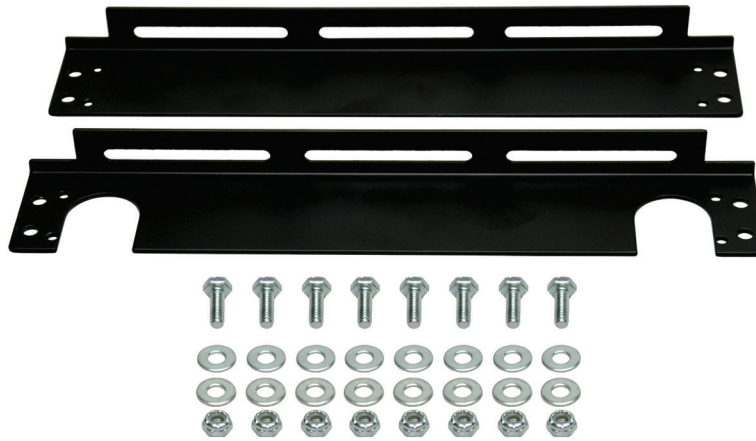
QTY. DESCRIPTION

- 2 Mounting Brackets
- 8 1/4"-20 x 3/4" Hex Bolt
- 16 1/4" Washer
- 8 1/4"-20 Lock Nut

TOOLS NEEDED

- 7/16" Socket & Ratchet
- 7/16" Open End Wrench

Brackets are symmetrical and can be installed with mounting tabs up, down or a combination of both. These Brackets fit any size Dera Performance Stacked Plate Cooler ranging from 10, 16, 19, 25, 34 & 40 row. **Note:** Cooler not included in Kit.



Brackets mounted to 16 Row Stacked Plate Cooler